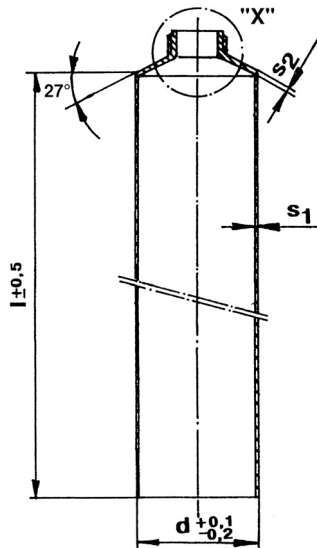
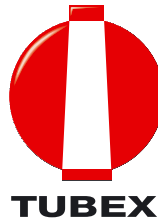


Technical Data

ALUMINIUM TUBES

cylindrical in accordance with DIN EN 13046, DIN 5059/1 and TUBEX Production Standard



Nominal diameter $d +0,1 -0,2$	Max. length $l \pm 0,5$	Wall thickness S_1	Shoulder wall thickness S_2
11	55	0,07 + 0,03	0,4 ± 0,1
13,5	105		
16	115		
19	125	0,08 + 0,03	0,4 ± 0,1
22	140		
25	180	0,09 + 0,03	0,5 ± 0,1
28	180		
30	190	0,10 + 0,04	0,6 ± 0,1
32	190		
35	200	0,11 + 0,04	0,6 ± 0,1
38	220		
40	220	0,12 + 0,04	0,7 ± 0,1
45	220		
50	230	0,14 + 0,06	

MATERIAL:

Aluminium 99,7

PROCESS:

Manufactured without seal by cold extrusion process.

TUBE SHOULDER:

Smooth-polished, grooved-polished or with embossed tactical warning signs.

INTERNAL COATING:

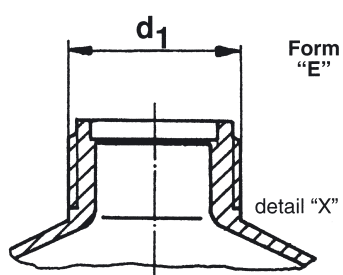
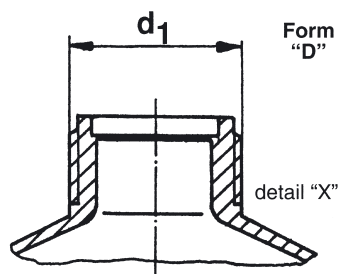
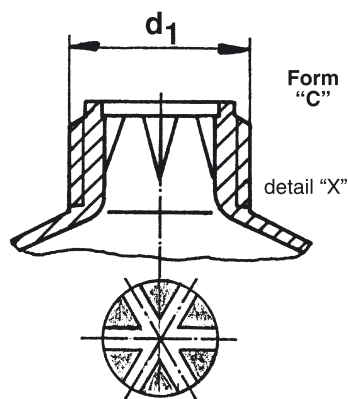
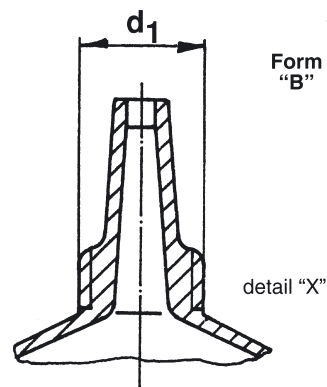
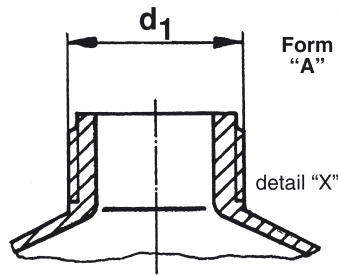
Resistant synthetic enamels, applied in two layers, according to the product. For very creeping products an additional latex end seal can be applied.

DECORATION:

Roller coating and rotary offset printing with up to 7 colours in addition to the base coating.

SPECIAL DESIGN:

Tamper evident seal out of aluminium or plastic.



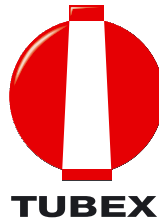
d_1	Standard tubes \emptyset
M 7 x 1	11, 13,5, 16, 19
M 9 x 1,25	13,5, 16, 19, 22, 25, 28, 30, 35, 40
M11 x 1,25	19, 22, 25, 28, 30, 32, 35, 40
M11 x 1,5	19, 22, 25, 28, 30, 32, 35, 40
M12 x 1,25	25, 30, 35,
M13 x 1,25	22, 25, 28, 30
M15 x 1,5	25, 28, 30, 32, 35, 40, 45, 50
M18 x 1,5	40
M20 x 1,5	40

d_1	Tubes with elongated aluminium nozzle \emptyset
M 7 x 1	11, 13,5, 16, 19, 25, 28, 30
M 9 x 1,25	19, 22, 25, 28, 30, 35, 40
M11 x 1,25	25, 28, 30, 40

d_1	Tubes with star orifice \emptyset	Shape of star
M11 x 1,5	30, 32, 40	5 or 6 star
M13 x 1,5	32	5 star
M15 x 1,5	40	5 star 6 star

d_1	Tubes with membrane \emptyset
M 7 x 1	11, 13,5, 16, 25
M 9 x 1,25	13,5, 16, 19, 22, 25, 28, 30, 40
M11 x 1,25	19, 22, 25, 28, 30, 32, 35, 40
M11 x 1,5	19, 22, 25, 28, 30, 32, 35, 40
M12 x 1,25	25, 30, 32, 35
M15 x 1,5	25, 30, 32, 35, 40, 45, 50
M20 x 1,5	40

d_1	Tubes with plastic nozzle \emptyset
M 9 x 1	22
M11 x 1,5	19, 22, 25, 28, 30, 35,
M12 x 1,25	19, 22, 25, 28, 30, 32, 35
M13 x 1,25	19, 22, 25, 28, 30, 32, 35, 40
M13 x 1,5	22, 25, 28, 30,
M14 x 1,59	22, 25, 28, 30, 32, 35
M25 x 1,5	28, 30, 35, 40



Technical Data
**Filling Contents for
 ALUMINIUM TUBES**

Length specification in the table for double fold.
 Length for triple fold + 5 mm
 Length for saddle fold + 10 mm

Volume	Diameter in mm													
	11	13,5	16	19	22	25	28	30	32	35	38	40	45	50
2 ml	55													
5 ml		60												
7 ml		75	60											
10 ml			77	65										
15 ml			105	82	70									
20 ml				102	85									
25 ml					100	80								
30 ml					115	92								
40 ml						115	100	90						
50 ml						137	120	110						
60 ml							138	125	112	100				
75 ml							162	146	135	118				
80 ml								155	140	123	110			
100 ml								185	168	145	130	120		
125 ml										175	155	142		
150 ml											175	164		
200 ml												210		
250 ml													210	
300 ml														210
min. Length	55	60	60	65	70	80	90	90	100	100	100	110	195	195
max. Length	55	75	105	105	130	170	180	190	190	200	210	218	230	230

Areas with white background represent the recommended length specification.

Production sites:

TUBEX Wasungen GmbH

Aluminiumstraße 1
 98634 Wasungen
 GERMANY
 Fon: +49 (0) 36941 75- 0
 Fax: +49 (0) 36941 75-100
 info@tubex-wasungen.de

TUBEX SLOVAKIA, s.r.o.

Partizánska 81
 966 81 Žarnovica
 Slovakia
 Fon: +421 45 681 2128
 Fax: +421 45 681 2148
 info@tubex.sk

TUBEX Jiangmen

TUBEX Packaging Materials Co. Ltd.
 Xijia Industry Zone
 Huicheng Town, Xinhui District
 Jiangmen City Guangdong
 PR CHINA, 529100
 Fon: +86 (750) 6109993
 Fax: +86 (750) 6109992
 office@tubex-jiangmen.com

TUBEX PROBER

Wojewódzka Strasse 5a
 58-560 Jelenia Góra
 Polen
 Fon: +48 75 75 520 15; 75 520 16
 Fax: +48 75 75 520 17
 office@prober.com.pl

**TUBEX Tubenfabrik
 Wolfsberg GmbH & Co. KG**

Am Industriepark 8
 A-9431 St. Stefan
 AUSTRIA
 Fon: +43 (0) 4352 37488-0
 Fax: +43 (0) 4352 3 74 44
 tubex@tubex.at

ZAO TUBEX

Ul Kalinina 224 a
 187010 Ulijanowka
 RUSSIA
 Fon: +7 (813) 6193-570
 Fax: +7 (813) 6193-346
 info@tubex.ru